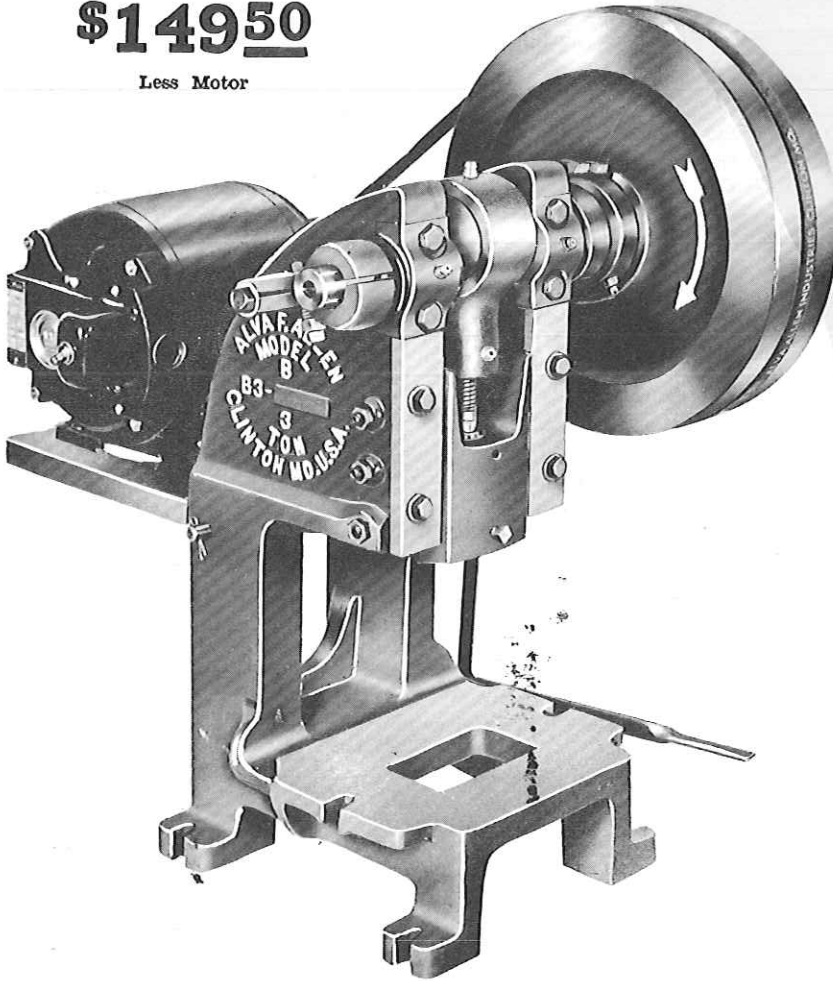


Alva Allen

MODEL B-3 THREE TON

PRICE
\$14950

Less Motor



DIE SPACE:

Shut Height 4¾"
(with standard stroke)
Throat 3¼"

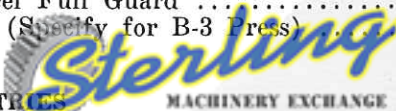
FLYWHEEL:

Diameter 10⅞"
Face 2⅜"
Weight 40 lbs.
Speed 300 R.P.M.

Strokes Available: ¼" to 1 ½"

PRICE

B-3	Alva Allen Model B-3 Press with Motor Mount, V-Belt and Motor Pulley, Adjustable Brake, Less Motor, 1" Stroke	\$149.50
	Other Strokes: ¼", ½", or ¾" (Extra Charge)	\$10.00
	Other Strokes: 1¼" or 1½" (Extra Charge)	\$20.00
XM-567	Motor with Built-In Switch, 1/3 H.P., 115 Volt, Single Phase (See Catalog Page 60)	\$24.50
B-3-FG	Flywheel Full Guard (See Catalog Page 69)	\$18.00
XT	Stand. (Specify for B-3 Press) (See Catalog Page 64)	\$25.00



BDS-2 SPECIFICATIONS

Capacity	2 Tons
Overall Dimension	Height
	Right to Left
	Front to Back
Crankshaft Diameter at Main Bearings	1"
Extra Long Main Bearings	2 1/16"
Overall Space of Legs	Right to Left
	Front to Back
Die Bed Area	Right to Left
	Front to Back
Die Bed Holes	Center to Center
Opening in Bed	Right to Left
	Front to Back
Area of Ram	Right to Left (Maximum)
	Front to Back, (Maximum)
Ram Guide Length	6"
Ram Gibs, Semi-Vee Type, matching Ram Sides. See Ram Face Drawing, Page 88	Type 2
Ram Length	5 3/4"
Adjustment of Ram	3/4"
Hole in Ram for Die Shank	Diameter
	Depth
Other hole sizes in Ram for Die Shank available at Extra Charge of \$5.00 each	13/16" or 3/4"
Width of Opening through Back of Frame	3 1/2"
Height from Bed to Center of Crankshaft	15"
Distance from Bottom of Frame to Bed	3 1/8"
Diameter of Eccentric	2"
Standard Stroke	3/4"
Other Strokes, available in 1/4" graduations at extra charge other than standard 3/4"	1/4" to 1 1/2"
Shut Height, Bed to Ram (Ram Down, Adj. Up, Standard Stroke)	7"
Shut Height (Special available at Extra Charge of \$92.00, with Standard Stroke)	13"
Distance from Ram to Bed (when up) Standard	8 1/2"
Distance from Center of Ram to Frame (Throat) Standard	6"
Distance from Center of Ram to Frame (Special) Available at Extra Charge of \$87.00	10"
Flywheel	Diameter
	Face
	Weight
Strokes per minute or recommended Revolutions per minute	300
Motor Recommended	Horse Power
	Speed
Clutch	Positive, Quick Acting, Single Pin, Repeat or Non-Repeat Action.
Lubrication	Oil and Zerk Type Fittings
Press Finish	Attractive Blue-Grey Enamel
Net Weight, Less Motor	(Standard)
Shipping Weight, Less Motor	(Standard)
Overall Size of Shipping Carton	(Standard)
	Length
	Width
	Height

For Complete Die Bed Dimensions refer to Die Bed Drawing Page 88 Type 2
 For Complete Ram Face Dimensions refer to Ram Face Drawing Page 88 Type 2
 For Main Frame Specification Terminology refer to Main Frame Drawings Page 87



www.SterlingMachinery.com

CLINTON, MO., U.S.A.