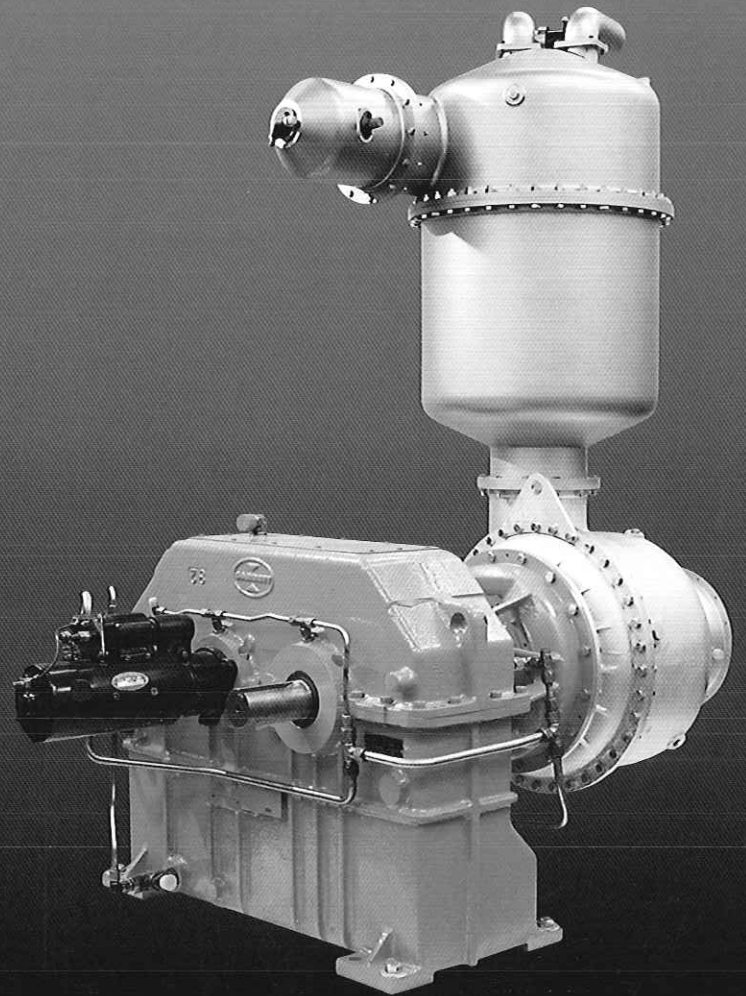


ASE8-1000 Gas Turbine Engine

*The Source of
Industrial Power and
Pollution Control*

 **AlliedSignal**



 **Sterling**
MACHINERY EXCHANGE

www.SterlingMachinery.com

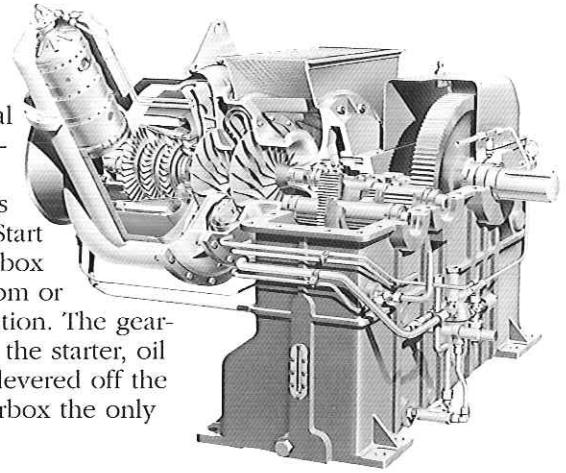
MODEL ASE8-1000 (831-1000)

Specification Data

	ASE8-1000 Gas Turbine
Continuous Power	525 kw/705 shp
Heat Rate	16,020 btu/kwh
Weight with Gearbox	1750 lbs (795 kg)(Dry)
Life	30,000 hr
Thermal Efficiency	21.3%
Fuel	natural gas, diesel or jet fuel
Exhaust Temperature	925° F
Air Flow	6,200 cfm
NOx	Less than 40 ppm
Exhaust Heat	4,000 lb/hr Steam
Output Pad Speed/ Direction of Rotation	1500 or 1800 rpm/ccw (Facing Output Pad)
Destruction Efficiency (VOC Version)	>96%

Reliable Industrial Power

The ASE8-1000 is a single-shaft machine, with the compressor end of the engine supplying the output power. It uses a two-stage centrifugal compressor and a three-stage combination gas generator and drive turbine, making for a minimum of parts for the level of performance given. Start can be electrical or pneumatic. Gearbox output speeds are 3600 rpm, 1800 rpm or 1500 rpm, depending on the application. The gearbox also contains the drive pads for the starter, oil and fuel system. The engine is cantilevered off the gearbox, making the foot of the gearbox the only mounting required.



The ASE8-1000's low turbine inlet temperature and relatively low pressure ratio makes it an excellent choice for situations requiring industrial heat. This can be accomplished with a heat recovery steam generator, producing superheated or saturated steam. It can also produce hot water for space heating or other heating needs, as well as using the hot air exhaust heat directly. A reaction chamber option is available allowing for the destruction of volatile organic compounds.

Unmatched Customer Support

The Customer Support Team at AlliedSignal is a full-service organization designed to provide spare parts, business management, repair and overhaul, program support management, technical publications, training, integrated logistics and technical support. Overhaul facilities are located in Japan, Germany, the U.K. and the U.S.

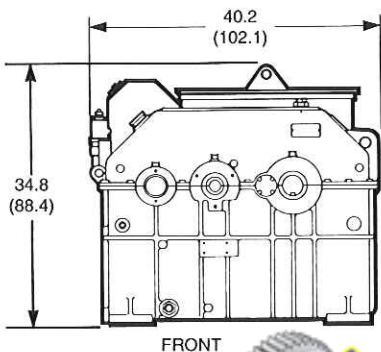
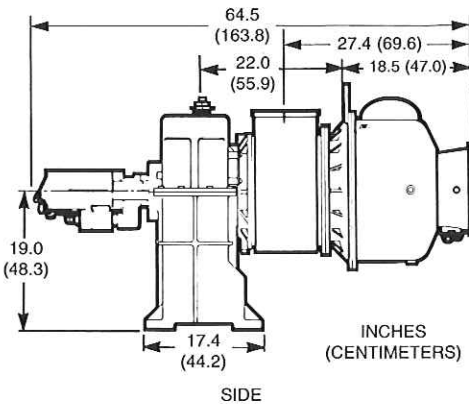
ASE8-1000 Features

- Allen Bradley PLC Control
- Automatic Control of Electric Switch Gear
- Optional Remote Trend Monitoring
- Fully Automatic, Supports Remote Operation and Monitoring
- Maintenance/Safety Items Monitored by PLC Control
- Automatic Safety and Shutdown Control
- Automatic Multiple Engine Dispatch
- Two Stage Centrifugal Compressor
- Three Stage Uncooled Axial Turbine
- Self Contained Lubrication System
- Optional Dry Low NOx Combustor (Natural Gas Only)
- Optional Version with Reaction Chamber for Volatile Organic Compound Destruction
- 1800 and 1500 RPM Gearbox Options
- AC Electric Start
- DC Electric Start Option
- Pneumatic Start Option
- Natural Gas, Diesel, Jet Fuel
- Low BTU Fuel Option
- Dual Fuel Option (with Conventional Burner Only)
- Optional Self-Contained Liquid Fuel System
- Optional Bearing Temperature Monitor
- Optional Vibration Monitor
- Qualified on Synthetic Turbine and Mineral Oils

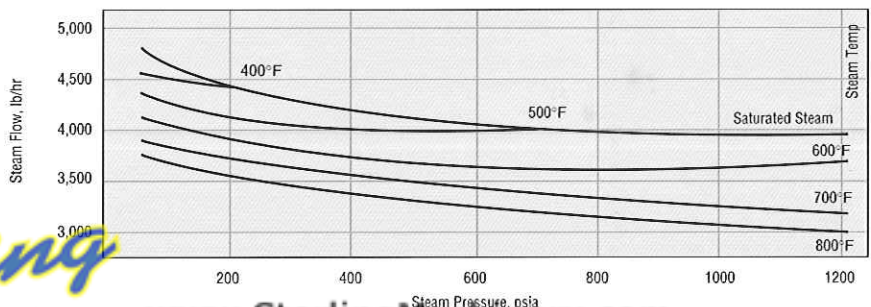
Standard Accessories

(Note: Standard Configuration is AC Electric Start with Natural Gas, Conventional Combustor, and PLC Control)

- Oil Pump Module
- Oil Filter
- Oil Level Sight Glass
- Low Oil Level Sensors
- Low Oil Pressure Sensor
- High Oil Pressure Sensor
- Allen Bradley PLC 5 Engine Control System Packaged in NEMA Container
- Remote Allen Bradley Touch Screen 900 for Engine Control and Monitoring
- Electric Sensors Including Speed, EGT, and Inlet Temperature
- Ignition System
- Hillard Bendix Start Decoupler



Steam Production Capacity



www.SterlingMachinery.com