

PORTABLE CARTRIDGE COLLECTION

FOR DIRECT SOURCE CAPTURE OF DUST, SMOKE & FUMES

The NEW AFS MODEL PC is a clean air machine on wheels. This revolutionary new design combines one basic cabinet/blower/self-supported pickup hose, with a high efficiency pleated filter cartridge to handle smoke, dust, and other shop pollutants right at the source. Compact size/easy to use! The PC helps meet OSHA* standards and Insurance standards while providing clean air for your shop.

*When properly used and maintained.

PORTABLE

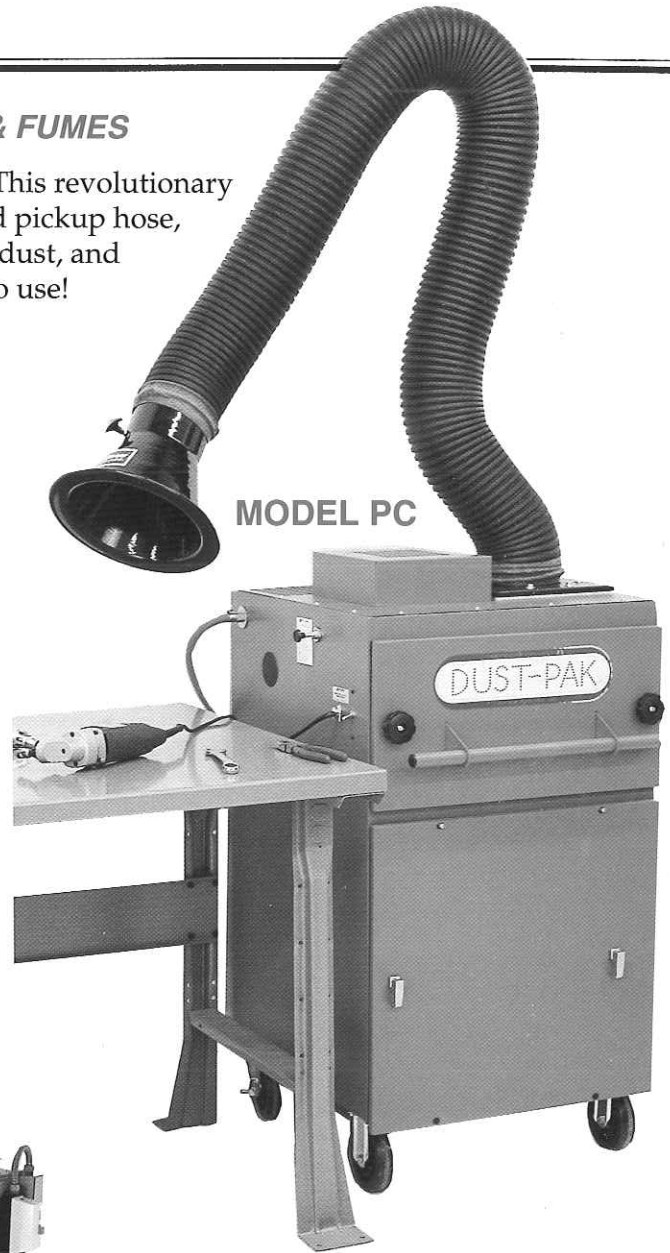
- AIR CLEANER
- DUST COLLECTOR
- SMOKE COLLECTOR
- FUME EXTRACTOR

APPLICATIONS

- DRY PARTICULATES
- WELDING SMOKE
- FUMES
- CARBON DUST
- PLASTIC DUST
- CERAMIC DUST
- WOODWORKING
- FIBERGLASS
- TEXTILES
- RUBBER DUST
- GRINDING DUST
- POWDERS
- DRY CHEMICALS
- COMPOSITES
- COTTON DUST
- SYNTHETICS

HOW IT WORKS

Dirty air enters the cabinet from the hose and is directed vertically downward which results in a 180° turn at the bottom of the unit, causing separation of heavier particles into the removable dust pan. Second stage cartridge filter traps the remaining particles with up to 99% efficiency.



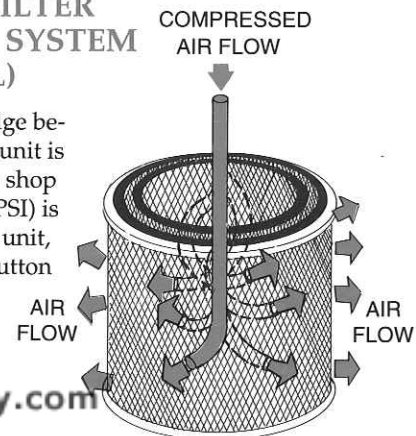
OPEN VIEW WITH OPTIONAL HI-FLOW EXTERNAL ARM



The easiest to use and highest performing arm in the industry! This patented, heavy duty arm, externally supported, is available in 7' and 10' lengths.

VIBRA-PULSE[®] IN-PLACE FILTER CLEANING SYSTEM (OPTIONAL)

When the cartridge becomes dirty, the unit is turned off, and a shop air hose (80-120 PSI) is connected to the unit, allowing push-button cleaning of the filters.



MODEL PC WITH HOPPER
www.SterlingMachinery.com
For Stationary Dust Collector Applications.

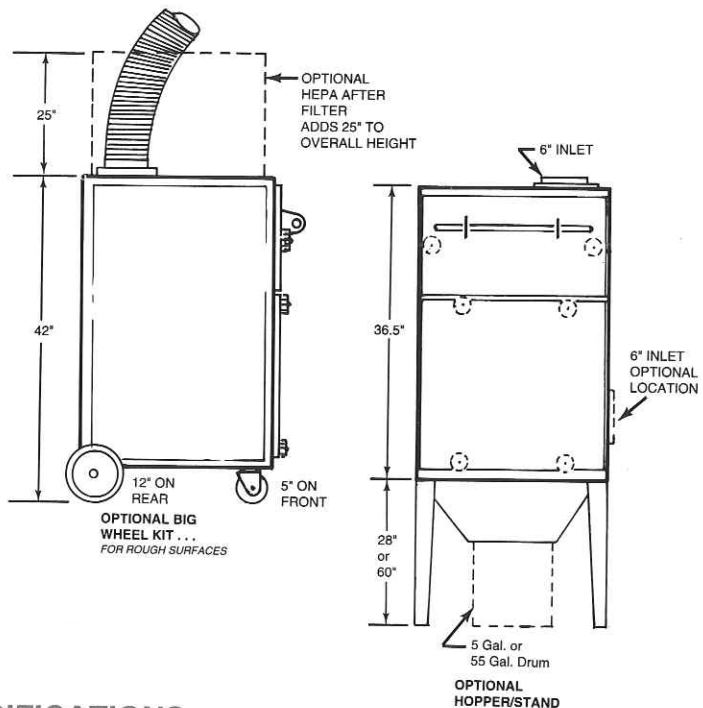
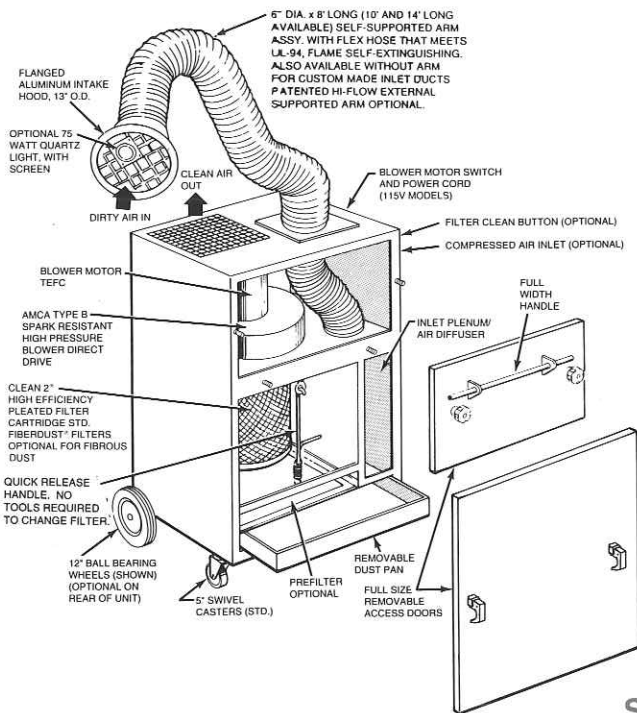
Model PC Portable Cartridge Collector

PRINCIPLES OF OPERATION

Air enters the aluminum hood at a rate of 600 cubic feet per minute (standard configuration) picking up smoke, dust, and other particulate 10-12" from the hood. Helps meet OSHA STANDARDS.* OSHA standard 1910.252(f)(3)(i) for ventilation requires 600 cfm for 10-12" pickup range. Optional 75 watt quartz hood light is available for improved workspace illumination. Pollutants are drawn through the 6" diameter, self-supported pickup hose and into the cabinet plenum assembly (hose assembly can be deleted if custom made duct work is to be used). The plenum disperses the air vertically downward over a larger area reducing the velocity. The dirty air must make a full 180° turn at the bottom before flowing through the cartridge filter. This direction change allows separation and deposit of heavier solid particles, reducing the load on the filtration section.

Separated particles drop into dust pan. The high efficiency, pleated filter cartridge then removes 99%+ of the remaining particulates. The high pressure blower pulls the air through the system: discharging into the workroom. The baffled blower chamber reduces noise levels to 70 dBA at 3'. The 5" swivel casters allow easy rolling over smooth floors. (Order the optional 12" wheels for rough surfaces). The model PC plugs into any standard 115V circuit. When filters become dirty, airflow/suction at the hood is reduced. Unit is turned off, and filters are then removed and manually cleaned or with the optional VIBRA-PULSE® cleaned by connecting a shop air hose, 80-120 PSI, to the unit allowing push-button cleaning of the cartridges. Each VIBRA-PULSE® uses only 30 SCF of compressed air. Backflushed particles fall into the dust pan for removal. Unit is then returned to service.

*When properly used and maintained.



SPECIFICATIONS

ELECTRICAL: 1 HP TEFC motor, 115/1/60, 14.8 amps.

Includes on-off switch and 6 foot cord. 230/1/60, 208/230/460 3 phase optional. 1-1/2 HP optional, 115V, 18.0 amps, or 3 phase.

FILTER: CLEAN 2® cartridge, 150 ft².

EFFICIENCY: 99% on dust, welding smoke.

CLEANING: Manual cleaning standard. Optional self-cleaning using VIBRA-PULSE® system with manual push-button control. Uses 80-120 PSI and 30 SCF of shop compressed air. Pipe fitting is located on side of unit.

- OPTIONS:**
- VIBRA-PULSE® self-cleaning system
 - HEPA afterfilter, 99.97% D.O.P. efficiency
 - 75 watt quartz halogen light kit
 - 12" wheels with 5" casters on front
 - FiberDust® filter cartridges for wood/fibrous dusts
 - Hopper and Stand – 5 gal. drum (no arm assy)
 - Hopper and Stand – 55 gal. drum (no arm assy)

DIMENSIONS: (Cabinet) 24½" Deep x 24" Wide x 41½" High (28" wide at wheels when big wheel kit is used).

WEIGHT: 220 lbs.

CONSTRUCTION: 16 gauge welded steel cabinet with removable dust pan and 5" diameter casters.

ARM ASSEMBLY: Internally self-supported 6" diameter arm assembly, 8' long, complete with entry nozzle. Optional: Patented HI-Flow external joint arm, 7' or 10' long.

FLEX HOSE: Heavy duty hose meets UL-94, flame self-extinguishing.

FILTER ACCESS: Removable access door.

AIRFLOW: 600 CFM with std. 1 HP motor, 800 CFM with 1-1/2 HP motor.

NOISE LEVEL: 70 dBA at 3 feet.

VIBRA-PULSE, CLEAN 2 and FIBERDUST are trademarks of Airflow Systems, Inc.

AFS has a policy of continuous research and improvement, and reserves the right to change design and specifications without notice.



11370 Pagemill Road Dallas TX 75243-8306 USA
(214) 272-3003 FAX (214) 503-9596

www.SterlingMachinery.com