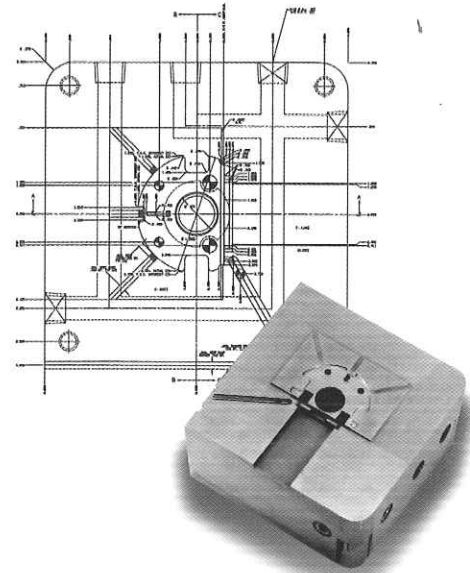


ACU-RITE®

READOUT SYSTEMS FOR EDM APPLICATIONS



DRO 200E ADVANTAGES FOR EDMing...

With an easy-to-read, 14-segment vacuum fluorescent display and a sealed, 3-D, tactile-feel, color keypad, the ACU-RITE® DRO 200E provides the standard of productivity for EDM applications.

This operator-friendly readout system reduces setup time and increases throughput with an application-specific feature set that includes:

- 3-axes display
- Dwell feature
- Z-axis display with current position, min/max position and retract point
- First Spark Detector (optional)
- Centerline calculation enables you to establish workpiece zero and midpoints
- Preset and zero reset
- Near-zero warning
- Position-Trac™, a unique feature that lets you easily, quickly and accurately reestablish workpiece zero after power loss
- Absolute/Incremental display
- Instant inch/mm conversion
- Three-segment linear error compensation

RETURN ON INVESTMENT

$$\text{Average Payback Time} = \frac{I}{(A \times B \times C)} = \frac{\$2384}{(25 \times 8 \times .48)}$$

Where:

- I = dollars invested
- A = machine revenue in \$/hour
- B = hours per day worked
- C = percentage increase in productivity

Calculation based upon an 8" x 8" x 12" EDM with 2µm (.0001") resolution

**Average
Payback
25 days**



MicroScales™ are available in resolutions from 0.5µm - 5µm, while ENC 150 scales offer resolutions from 0.5µm - 10µm.

Both maintain high accuracies in compact, yet shop-tough enclosures.



TECHNICAL SPECIFICATIONS

FLEXIBILITY/REDUCED SETUP	DRO 200E
Shrinkage/Expansion Multiplier	Yes
Position-Trac™	Yes
Battery Backup	
Recall Function	
Home Reference	Yes
Electronic Edge Finder Input	Yes
Automatic Scale Resolution Detection	Yes
Number of Axes	3
Number of Display Resolutions	Multiple
Absolute/Incremental Display	Yes
Inch/mm Conversion	Yes

INCREASED PRODUCTIVITY	DRO 200E
Preset & Zero Reset	Yes
Reference Preset	Yes
Near-zero Warning	Yes
Centerline Calculation	Yes
Z-axis Display	
Current Position	Yes
Min/Max Position	Yes
Retract Point	Yes
Dwell Feature	Yes
First Spark Detector	Optional

RELIABILITY	DRO 200E
Construction	Die-cast Metal
Weight	7.5 lbs.

EASE OF USE	DRO 200E
Key Legends	Words
Keypad Technology	Sealed, 3-D, Tactile Feel
Display Technology	Vacuum Fluorescent
Conversational Message Prompts	Yes

ACCURACY & WORKPIECE QUALITY	DRO 200E
Linear Error Compensation	Three Segment with Auto Calc.

MISCELLANEOUS	DRO 200E
Switchable Count Direction	Yes
Control Function Interface (CFI)	Yes
Self Diagnostics	Yes

NOTE: Features and specifications are subject to change without notice and/or obligation. Your ACU-RITE representative is your best source for up-to-date information.

ACU-RITE'S GLASS SCALE TECHNOLOGY DEFINES PRECISION POSITIONING

With more than one million scales in use today, ACU-RITE® precision glass scales are proven to withstand a variety of harsh conditions found in machine shop environments.

ACU-RITE's precision glass scales resist changes in size, shape or density due to temperature and humidity variations. This stability provides exceptional accuracy down to $\pm 1.5\mu\text{m}$ (.00006"), resulting in tighter workpiece tolerances.

ACU-RITE scales are available in travel lengths from 1" - 773" and in resolutions from $0.5\mu\text{m}$ (.00002") to $10\mu\text{m}$ (.0005").

All **ACU-RITE**® products are designed and manufactured in ACU-RITE's ISO 9001 certified facility. They are designed to UL/CSA/CE specifications and are backed by a comprehensive 3-year warranty.

SERVICE & SUPPORT

ACU-RITE maintains a strong worldwide distribution network of fully trained and qualified personnel to provide quality sales and service support. ACU-RITE's distribution network is readily available to provide prompt delivery, thorough product training and skilled technical service.

ADDITIONAL PRODUCTS

ACU-RITE offers a complete line of readout systems for other applications, including milling, turning and grinding. Contact ACU-RITE or your local representative for more information.



ACU-RITE IS AN
ISO 9001
CERTIFIED
MANUFACTURER



ACU-RITE®

ACU-RITE INCORPORATED

One Precision Way, Jamestown, NY 14701 • Tel: 1-800-344-2311 • Fax: (716) 661-1888



9951 0141 03/99

www.SterlingMachinery.com

